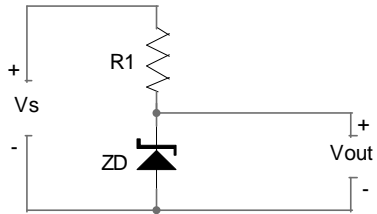
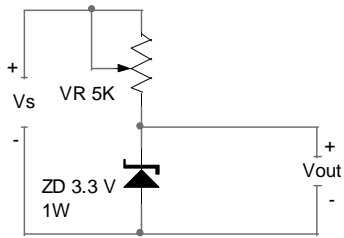


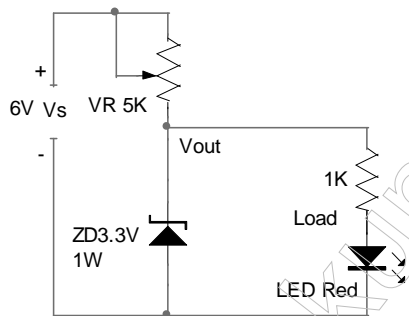
Some Zener Applications



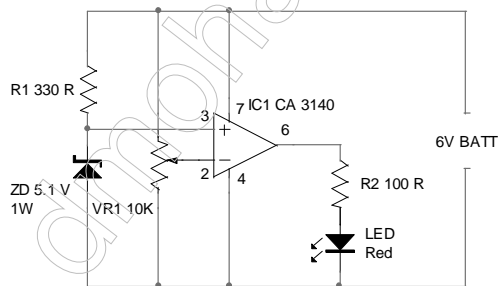
Zener application
 Vs-Input voltage
 Vout- Output voltage



Variable Resistor as Series resistor for Zener
 Resistance can be adjusted up to 5K



Test Circuit with 1 K Resistor and LED as load



If input voltage is more than 5.1V, output of IC goes high lighting the LED. Adjust VR1 to get a reference voltage of 5.1 V to pin 2.